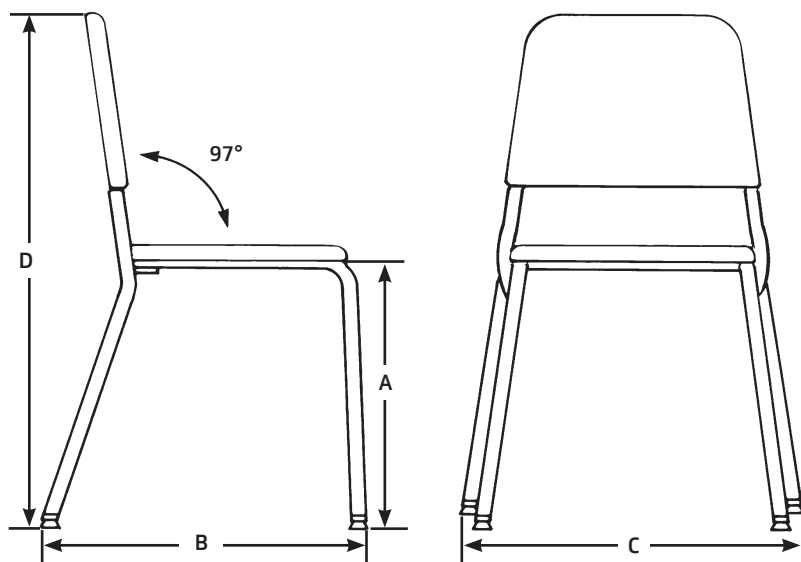


Student Chair

- 0930000 14 lb (6.4 kg)
- Black powder-coat paint finish frame for maximum durability
- Black high impact 1/8" (3 mm) thick textured polypropylene seat and back
- Music posture design, with seat pan rise of 4-1/2° forward of pelvic area that creates a thigh to backrest angle of 97°, allowing musicians to sit in a posture equivalent to standing, thus freeing the diaphragm
- 16-gauge 7/8" (22 mm) square tube frame, and 14-gauge 7/8" (22 mm) square tube rear cross member designed and welded to give support around entire outer edge of both seat and back
- Available in heights of 15-1/2" (394 mm), 16" (406 mm), 17" (432 mm), 17-1/2" (445 mm), 18-1/2" (470 mm) and 19-1/2" (495 mm)*
- *19-1/2" Student Chair frame is only available in black powder-coat paint finish (no chrome finish)
- Chairs stack for compact storage, up to 18 chairs on a cart; 8 chairs without a cart;
- If chairs are equipped with the ganging clamp accessory, they can be stacked no more than 4 high
- Durable, specially designed floor glides provide stability when seated and ease of movement when arranging chairs
- ANSI/BIFMA x 5.1-2002
- UL GREENGUARD certified - product certified for low chemical emissions: ul.com/gg - UL 2818
- Ten-year warranty

Chair Height	A*	B	C	D
15-1/2" (394 mm)	15-1/2" (394 mm)	21-1/4" (540 mm)	19-3/4" (502 mm)	31-3/8" (797 mm)
16" (406 mm)	16" (406 mm)	21-1/2" (546 mm)	19-3/4" (502 mm)	31-7/8" (810 mm)
17" (432 mm)	17" (432 mm)	21-15/16" (557 mm)	19-7/8" (505 mm)	32-7/8" (835 mm)
17-1/2" (445 mm)	17-1/2" (445 mm)	22" (559 mm)	19-7/8" (505 mm)	33-1/4" (845 mm)
18-1/2" (470 mm)	18-1/2" (470 mm)	22-5/8" (575 mm)	19-15/16" (506 mm)	34-1/4" (870 mm)
19-1/2" (495 mm)	19-1/2" (495 mm)	23" (584 mm)	20" (508 mm)	35-1/4" (895 mm)

*Dimension "A" measures frame height, not seat height.



Accessories Include:

Folding Tablet Arm

- Right-hand: 0939020 8.5 lb (3.9 kg), Left-hand: 0939021 8.5 lb (3.9 kg)
- Pebble laminate surface, 13-3/4" x 17" (349 x 432 mm)
- 14-gauge support assembly with black powder-coat paint finish
- Chairs cannot be stacked with this accessory attached

Book/Music Storage Rack

- Under-chair: 054L286 2 lb (0.9 kg)
- 3/16"(4.8 mm) diameter solid steel rod construction
- Chairs cannot be stacked with this accessory attached

Tuba Rest

- 054A160 3.5 lb (1.6 kg)
- Thru-bolted 16-gauge steel frame construction supports the full weight of the tuba
- Height and depth adjustable
- Vinyl protective coating
- Can be added at any time
- Chairs cannot be stacked with this accessory attached

Sousaphone Holder

- 054B159 11 lb (5 kg)
- 14-gauge steel support frame and 16-gauge steel uprights
- Supports and helps balance the sousaphone; can be used for storage
- Adjustable height
- Vinyl protective coating
- Can be added at any time
- Chairs cannot be stacked with this accessory attached

Move 'N Store Cart

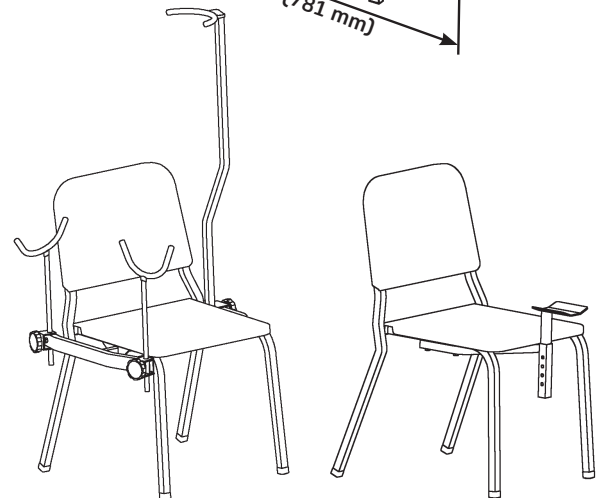
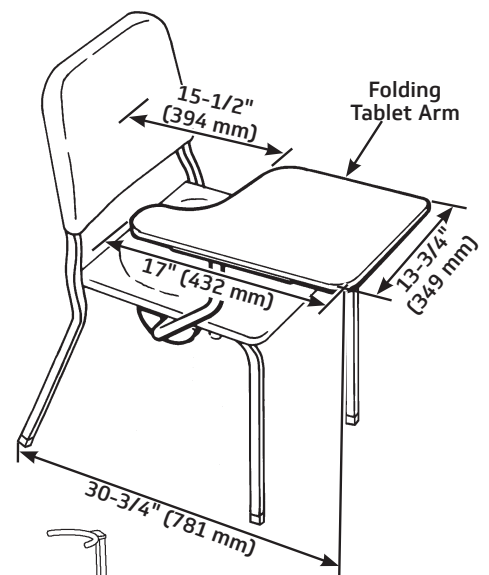
- 127A261 30 lb (13.6 kg)
- Stack, move and store up to eighteen Student Chairs
- 16-gauge steel construction with easy-roll casters

Ganging Clamps

- 190A059
- Molded polycarbonate
- Used to connect chairs together

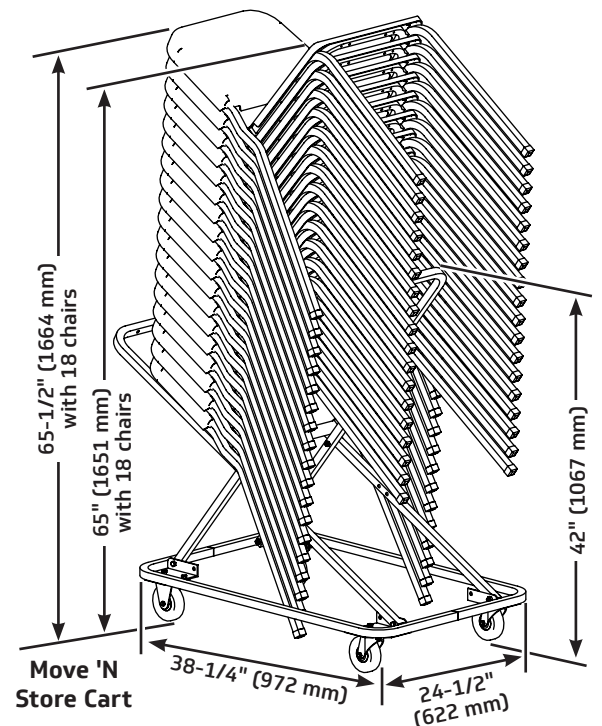
Dust Cover

- 054D500
- Vinyl coated polypropylene
- For use with chairs stacked on cart



Sousaphone Holder

Tuba Rest



Wenger

JRCLANCY

GEARBOSS

© 2025 Wenger Corporation
USA/2025-03

Minnesota Location

Wenger Phone 800.4WENGER (493-6437) Wenger Worldwide +1.507.455.4100 | Parts & Service 800.887.7145 | wengercorp.com
GearBoss Phone 800.493.6437 | gearboss.com
555 Park Drive, PO Box 448 | Owatonna | MN 55060

New York Location

J.R. Clancy Phone 800.836.1885 JR Clancy Worldwide +1.315.451.3440 | jrclancy.com | 7041 Interstate Island Road | Syracuse | NY 13209